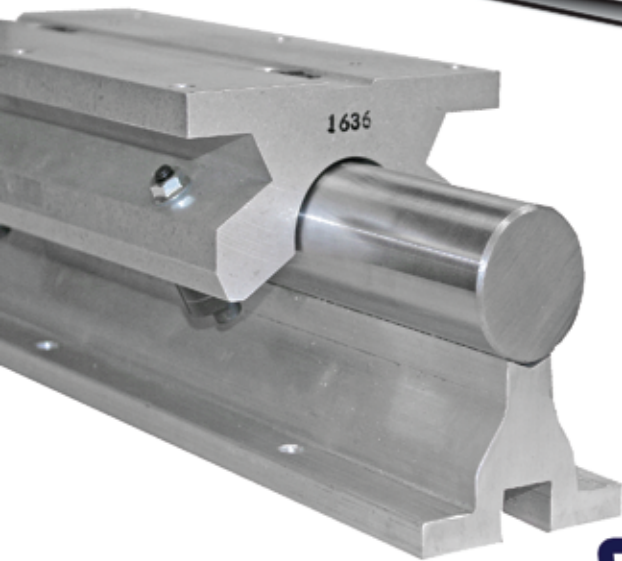


JET Rail



**Smooth
Quiet
Versatile**

The drop-in replacement for linear ball bearings. **JET RAIL** offers single and twin pillow block replacements when you need low friction, **ROLLING**, linear motion.

Functionality to the MAX

LM76 Gold Points

JET Rail offers the following Advantages:

- Direct Drop-in Replacement for all standard linear Pillow Blocks
- Floating option allows for misaligned shafting (Optional)
- Debris scraper clears path for top rollers (Optional)
- Open architecture does not provide areas for debris to collect
- Rebuild kits allow for field rebuilding

1-800-513-3163

www.LM76.com

Balls



VS

Rollers



HIGHER SPEEDS –

The design of the JET Rail Roller Bearing Pillow Block incorporates a larger “rolling” diameter than ball bearing pillow blocks. This allows operation at significantly higher speeds and acceleration than the equivalent size recirculating ball pillow blocks.

SHAFT PARALLELISM –

JET Rail Roller Bearing Pillow Blocks feature a “Floating Option” which will permit shafts to be out of parallelism. JET Rail Roller Bearing Pillow Blocks are the only linear motion pillow blocks with this patented option to compensate for non-parallel shafts. For instance, a 1” JET Rail Bearing can float 3/32”.



Slots, as opposed to through holes, make the Floating Option a winner when shaft mis-alignment is an issue.

LOW FRICTION –

JET Rail Roller Bearing Pillow Blocks have a very low “rolling” dynamic coefficient of friction (0.004 on average) and a very low resistance to motion. Unlike ball bearing pillow blocks which require shaft seals for proper operation, the JET Rail Roller Bearing Pillow Blocks have individually sealed rollers, and does not require shaft seals that generate resistance to motion.

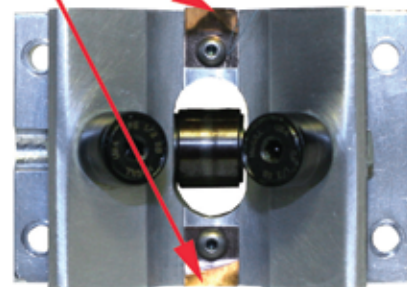
LONGER LIFE AND SHAFT PROTECTION –

Unlike recirculating ball pillow blocks which create a point contact between the ball and the shaft, the main roller outer race of JET Rail Roller Bearing Pillow Blocks feature a concave groove to match the shaft diameter. This creates a line contact versus a point contact. The point contact associated with recirculating ball bearings generates very high stress, is prone to shaft grooving, and premature shaft failure.

CORROSION RESISTANCE –

JET Rail Roller Bearing Pillow Blocks are constructed with an aluminum body. The exposed surfaces of the rollers have a black oxide finish to resist corrosion. Special rollers of stainless steel or chrome plated are available in some sizes.

Scrapers clear a pathway for top rollers when debris is an issue.



LM76 Linear Motion Bearings
140 Industrial Drive
E. Longmeadow, Ma 01028

1-800-513-3163 Fax: 413-525-3735 www.LM76.com
Sales@LM76.com